



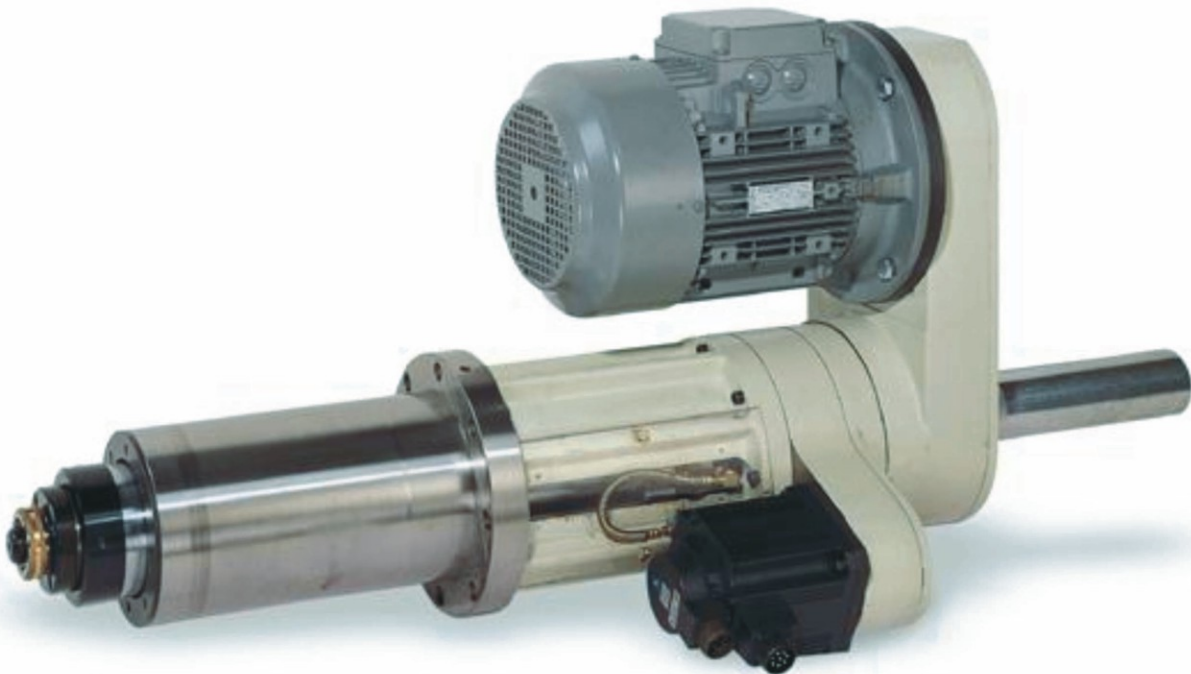
FD15S-150 Servo Drilling Unit

■ Specification

Drilling Capacity	φ 50(mild steel)
Spindle nose type:	HSK-63C
Power	3.7kw / 5.0kw, 220V/440V, 60Hz
Max. Revolution/Minute	2,500rpm
Servo Motor	1.5kw
Weight	270kg
Stroke	150mm
Transmission	8YU
Thrust Force	2500kg

■ Specification

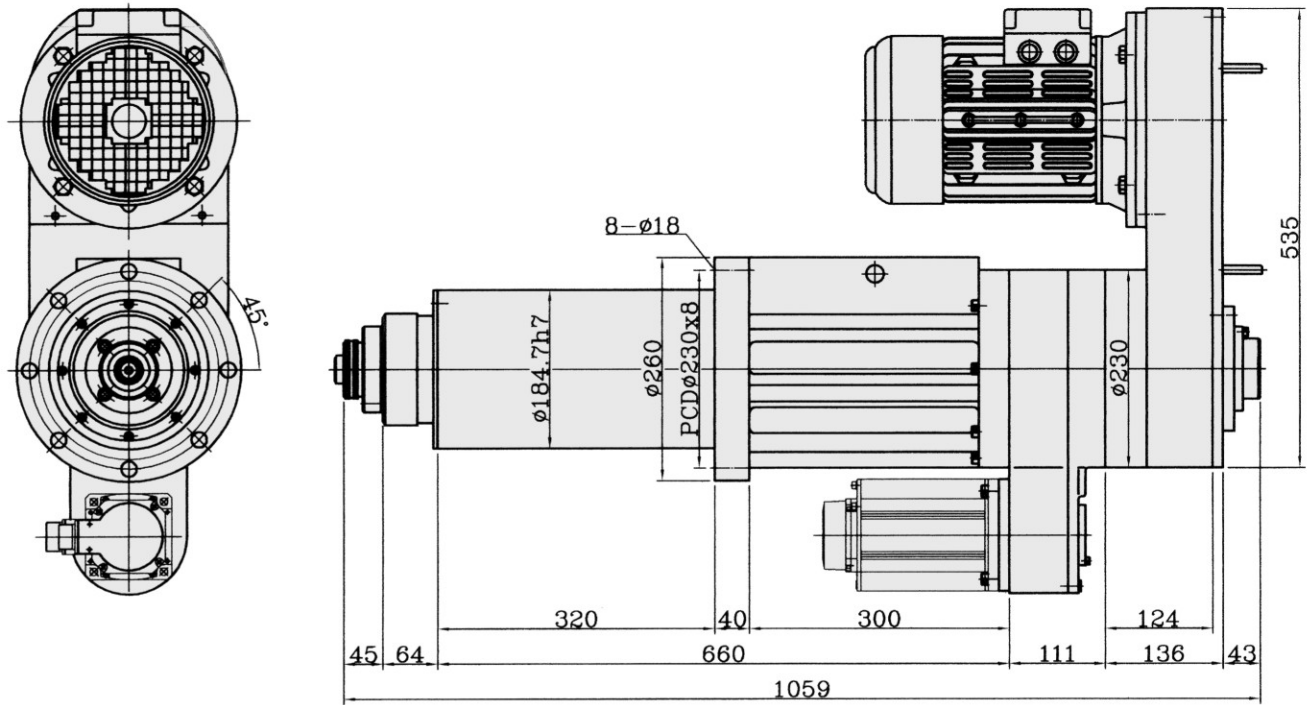
Spindle Bearing	32012x1, 6012Zx1, 6010Zx1, 32010x1
Pulley Bearing	32016x1, 32916x1
Transmission Bearing	6212ZZx1, 6012ZZx1 MCF35B MCGIx1,(6004ZZX3-for spur gear)
Bearing Set Seal	SDR125x2, V-100Ax1, G-90x1
Transmission seal	V-60Ax1, V-70Ax1





FD15S-150 Servo Drilling Unit

■ Dimensions



FD15S-150-HSK63C

